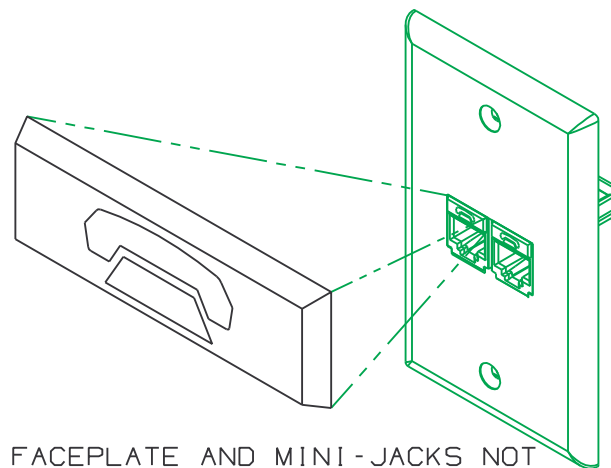
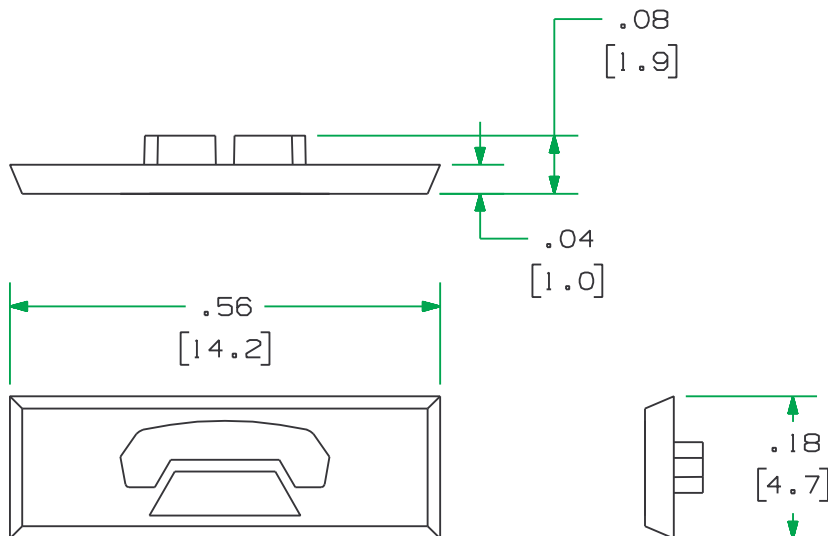


THIS COPY IS PROVIDED ON A RESTRICTED BASIS AND IS NOT TO BE USED IN ANY WAY DETRIMENTAL TO THE INTERESTS OF PANDUIT CORP.

| PANDUIT P/N | WEIGHT |
|-------------|------------------------------------|
| CIP**-C | .015 LB/100 PCS (7.0 g/100 PCS) |

NOTES:

- **1. SEE CURRENT CATALOG FOR ADDITIONAL PART NUMBER SUFFIXES TO INDICATE COLOR AND OR PACKAGE QUANTITY.
- 2. SEE CATALOG FOR COMPLETE LIST OF PARTS APPLICABLE FOR USE WITH THIS PART.
- 3. DIMENSIONS IN PARENTHESES ARE IN METRIC.



FACEPLATE AND MINI-JACKS NOT INCLUDED IN PACKAGE.

| | | | |
|--|--------|---|----------|
| CAD FILENAME/LAYERS | | M00633CD_DC_00A.PRT | |
| PANDUIT CORP. TINLEY PARK, ILLINOIS | | | |
| PAN-NET JACK ICON, PHONE (CIP**-C) CUSTOMER DRAWING | | | |
| UNLESS OTHERWISE SPECIFIED, DIMENSIONAL TOLERANCES ARE: (.X) ± (.XXX) ± .010(.3) (.XX) ± .03(.8) ANGLES ± | | UNLESS OTHERWISE SPECIFIED, ALL DIMENSIONS ARE GIVEN IN INCHES, THIRD ANGLE PROJECTION. | |
| DRAWN BY JsP | MAT'L: | SCALE NONE | |
| DATE 8-25-99 | ABS | DRAWING NO. 00633-04 | DWG A |
| CHECKED BY | | | SIZE |

| REV | DATE | BY | CHK | DESCRIPTION | ECN | CHK | CUST | SUP |
|-----|---------|-----|-----|-------------------------|----------|-----|------|-----|
| R | 8-25-99 | JsP | | RELEASED TO PRODUCTION. | 00633-03 | | | |